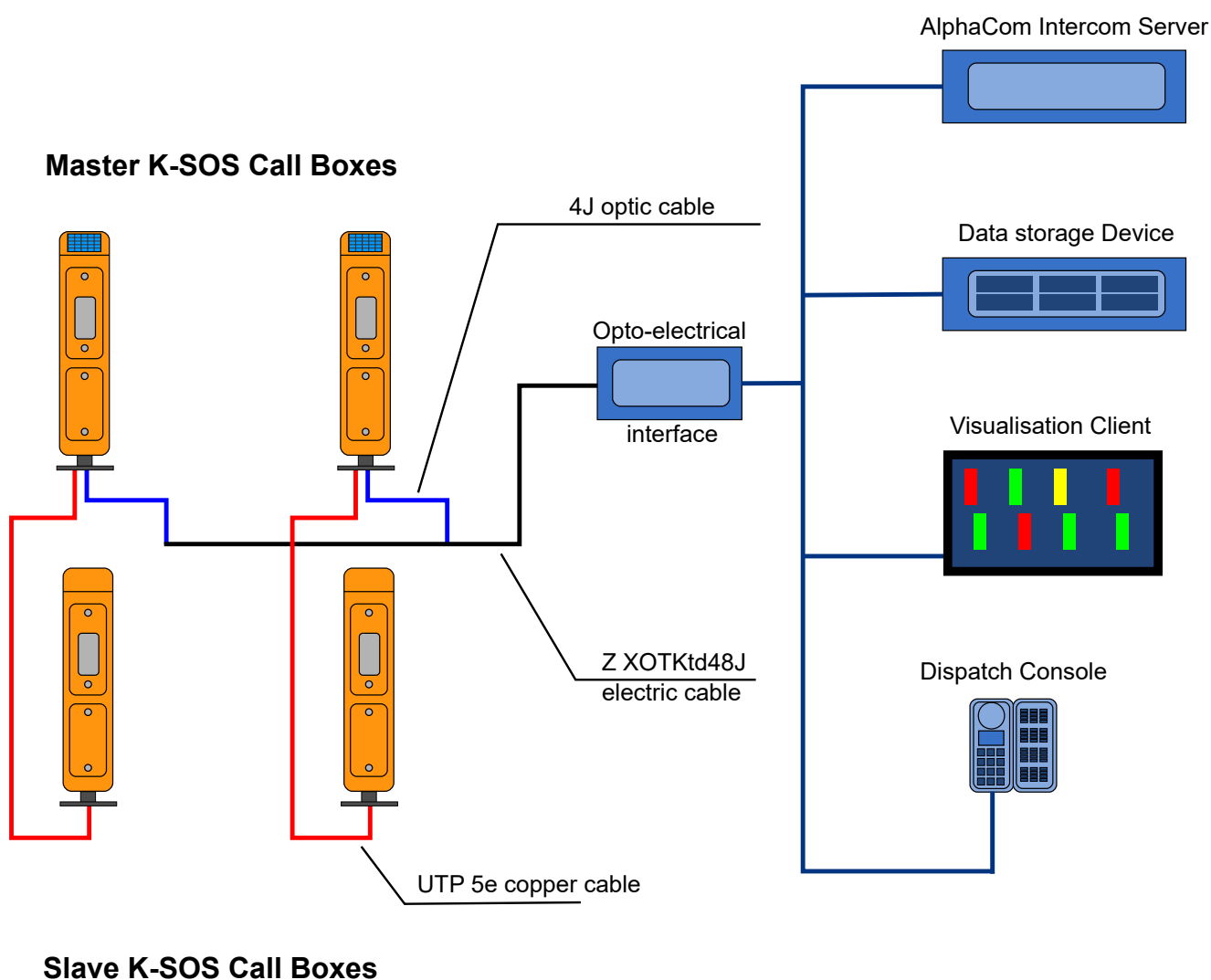


Emergency Communications System

The aim of the Emergency Communication System (ECS) is to provide road traffic participants with two-way emergency communication with the system operator on duty at the Traffic Management Centre (TMC)

Sample pictorial diagram of the Emergency Caommunications System



Emergency Communications System Architecture

- The ECS comprises the following intems:
 - Emergency Call Boxes (K-SOS) located on platforms made during motorway construction works. On one side of the motorway there are MASTER call boxes with solar panels and fibre optic interfaces, on the other SLAVE call boxes.
 - Emergency Communications Supervision System (ECSS) located in rooms of the Traffic Management Centre.
 - Transmission medium providing connection between call boxex and the ECSS is fibre optic cable.

Designed, manufactured and installed by BlueSoft STC Sp. z o.o.